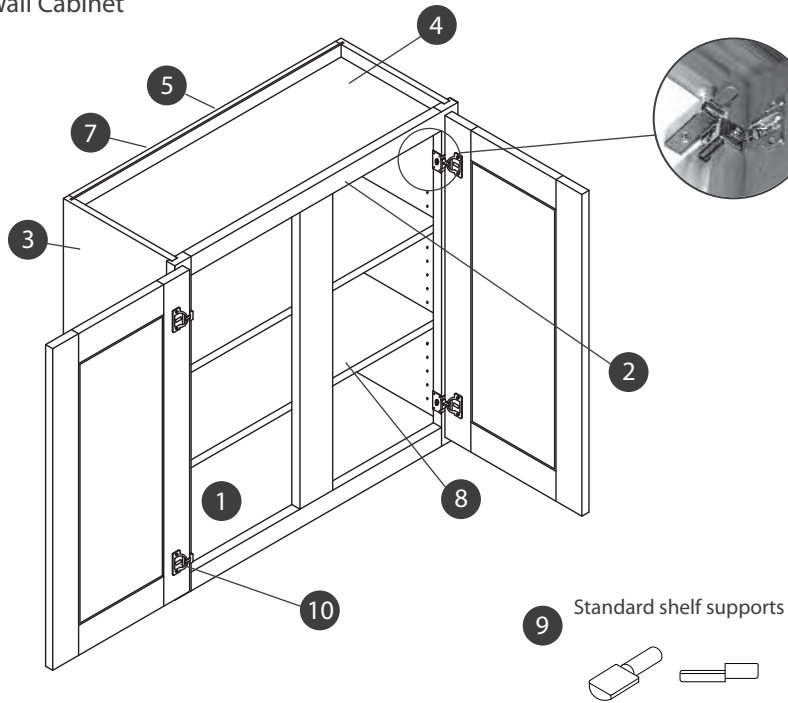
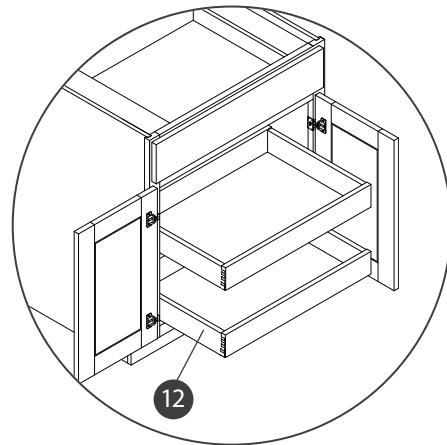


Wall Cabinet

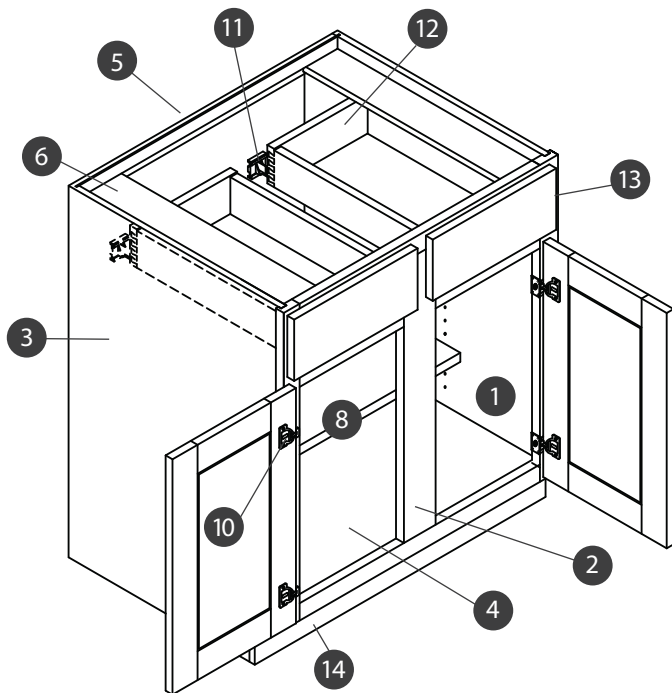


Smartclose

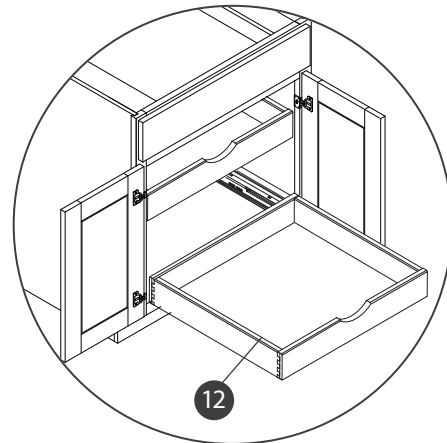
This optional upgrade mechanism features smooth and silent closing for cabinets with hinged doors. Smartclose is adaptive and customizes itself automatically to the speed of the closing door. Additionally, Smartclose contains a built-in overload feature; when the door is closing too fast, the excessive force is diverted within the mechanism, protecting both the Smartclose hardware and the hinge. See Section 1100 for installed modification. (SCF) See Section 1200 for field install kit. (KIT-SCD)



Base Cabinet



NEW! Standard slide-out shelves are 2 1/2" high with undermount epoxy-coated guides (previous guide was side mount).



Optional upgrades to 3 1/2" high slide-out shelves with scooped fronts:

- with Mirage undermount epoxy-coated guides (standard guide).
- with Smartrac FX undermount guides.
- with Smartmotion FX undermount guides.

WOOD DOOR STYLE specifications highlighted in light gray box.
 THERMOFOIL DOOR STYLE specifications highlighted in dark gray box. Information not highlighted is applicable to wood and Thermofoil door styles.

1 Interior

Laminated furniture board* material, light maple wood grain print.
 White laminated furniture board* material.

2 Face Frame

$\frac{3}{4}$ " thick solid wood face frame material; glued, clamped and screwed. Wood species determined by selection.

$\frac{3}{4}$ " thick solid maple, painted white; glued, clamped and screwed.

3 End Panels

$\frac{1}{2}$ " thick laminated furniture board*. Interior is light maple wood grain laminate. Exterior of cabinets receive wood grain laminate ends that resemble the species/finish ordered; however it is important to note the following exceptions:

- Orders in Hickory, Knotty Alder and Quartersawn Oak do not have laminated end panels matching the grain pattern of the species.
- Orders in some finishes (Classic Paints, Coastal Collection, Amaretto, Ginger Snap, Onyx, Vineyard, Walnut) do not have laminated end panels matching the finish of the cabinet fronts.
- For proper match in species and finish, any cabinet end that will be exposed when installation is complete should be upgraded using our finished or flush finished wood end modification, see section 1100.

$\frac{1}{2}$ " thick white laminated furniture board*. Interior and exterior is white, top and bottom edges are white foiled. Finished and flush finished wood ends are now available; see section 1100.

4 Top and Floor

$\frac{1}{2}$ " thick light maple wood grain laminated furniture board*.

$\frac{1}{2}$ " thick white laminated furniture board*.

5 Back

$\frac{1}{8}$ " thick light maple wood grain laminated hardboard. The grain direction is horizontal on walls, bases and vanities and vertical on tall cabinets; however the grain direction of finished interior cabinets is vertical.

$\frac{1}{8}$ " thick white laminated hardboard.

6 I-Beam (applicable to base and vanity base cabinets)

$\frac{1}{2}$ " thick laminated furniture board*.

$\frac{1}{2}$ " thick white laminated furniture board*.

I-Beams are dadoed into face frame end panel and back panel providing extra structural support.

7 Hanger Rail (back exterior of wall cabinet)

$\frac{1}{2}$ " thick laminated furniture board*.

$\frac{1}{2}$ " thick white laminated furniture board*.

Hanger rails are pocket screwed to backs for enhanced structural integrity.

8 Shelves

$\frac{3}{4}$ " thick maple, wood grain laminated furniture board*.

$\frac{3}{4}$ " thick white laminated furniture board*.

Standard wall cabinets receive full-depth shelving; standard base cabinets receive one $\frac{2}{3}$ depth shelf. Full-height door and peninsula base cabinets receive full-depth shelves.

9 Shelf Supports

Shelf support is solid metal in brass finish. Slides into pre-drilled holes in end panels for simple shelf adjustability.

10 Hinges

Concealed adjustable hinges which open a maximum of 107°. Left door shown in drawings are depicted open beyond actual allowance to show cabinet interior details.

11 Drawer/Slide-Out Shelf Guides

Standard drawer guide for all 12" cabinet depths: Smartmotion FX, see below for description. No upgrades available. Slide-out shelves are not available in 12" cabinet depths.

Standard drawer and slide-out shelf guide for 15", 18", 21" and 24" cabinet depths:

Mirage concealed epoxy-coated undermount guide system featuring $\frac{3}{4}$ extension, 75 lb. weight capacity and a self-closing feature.

Upgrade Options:

Smartrac FX guide system (75 lb weight capacity) consists of ball-bearing mechanics and full extension hardware for full access. Guides are installed to bottom of drawer/slide-out in an undermount concealed fashion and include a 'positive' close feature; when closing, the guide system prevents the drawer/slide-out from 'bouncing' back open. Smartrac FX's easy-release mechanism provides quick removal of drawer/slide-out.

Smartmotion FX guide system (75 lb weight capacity) is inclusive of the features of Smartrac FX. In addition, it consists of a mechanism which controls the drawer/slide-out closure in a smooth, uniform manner – it will not slam. This soft-close operation takes effect approximately 2" from the final closed position.

12 Drawer/Slide-Out Shelf Box Construction

$\frac{3}{4}$ " thick hardwood sides and $\frac{1}{4}$ " thick plywood** captured bottom. Furniture dovetail construction and clear coat/sealed interior and exterior.

13 Drawer Fronts

Drawer fronts are adjustable $\frac{1}{8}$ " vertically and horizontally. Adjustments should be made prior to installation of decorative hardware.

14 Toe Kick

Sub toe kick is 4 $\frac{1}{2}$ " high x 3 $\frac{3}{4}$ " deep x $\frac{1}{2}$ " thick furniture board* and does not match the finish of the cabinet. Matching toe kick material is available in eight foot lengths (see section 800).

Warranty Information – Silverline includes a 10 year Limited Warranty, see page 100.12 for details.

Decorative Hardware – Medallion offers a selection of hardware, located in Section 900, which is not included with the cabinetry. $\frac{1}{4}$ " overlay door styles require decorative hardware. $\frac{1}{2}$ " overlay door styles do not require decorative hardware, however it is recommended for additional finish longevity.

In keeping with our policy of continued product improvement, Medallion Cabinetry reserves the right to change product specifications without notice.

* Furniture board is a durable engineered composite material made of densely compressed wood fibers. Furniture board panels provide strength and consistency for long lasting cabinet construction.

** Reference Engineered Material information on page 100.6.